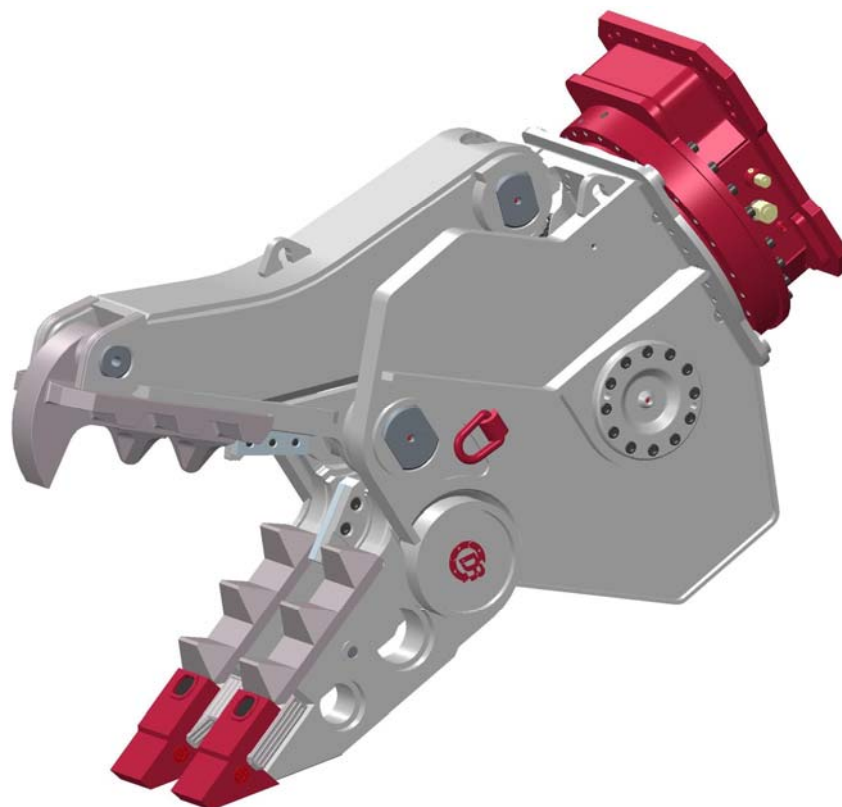




Partsbook
for
Rotatable Pulverizer
DRP-30

Product	Part Number	Ref.
DRP-30 Serie 3	DRP30H090CAA5	



Partsbook_drp30h090caa5-a.docx

August 2014

Demarec Demolition and Recycling Equipment BV

Den Hoek 10, 5845 EL St. Anthonis, Netherlands

TEL.
FAX

+31 (0) 485 442300
+31 (0) 485 442120

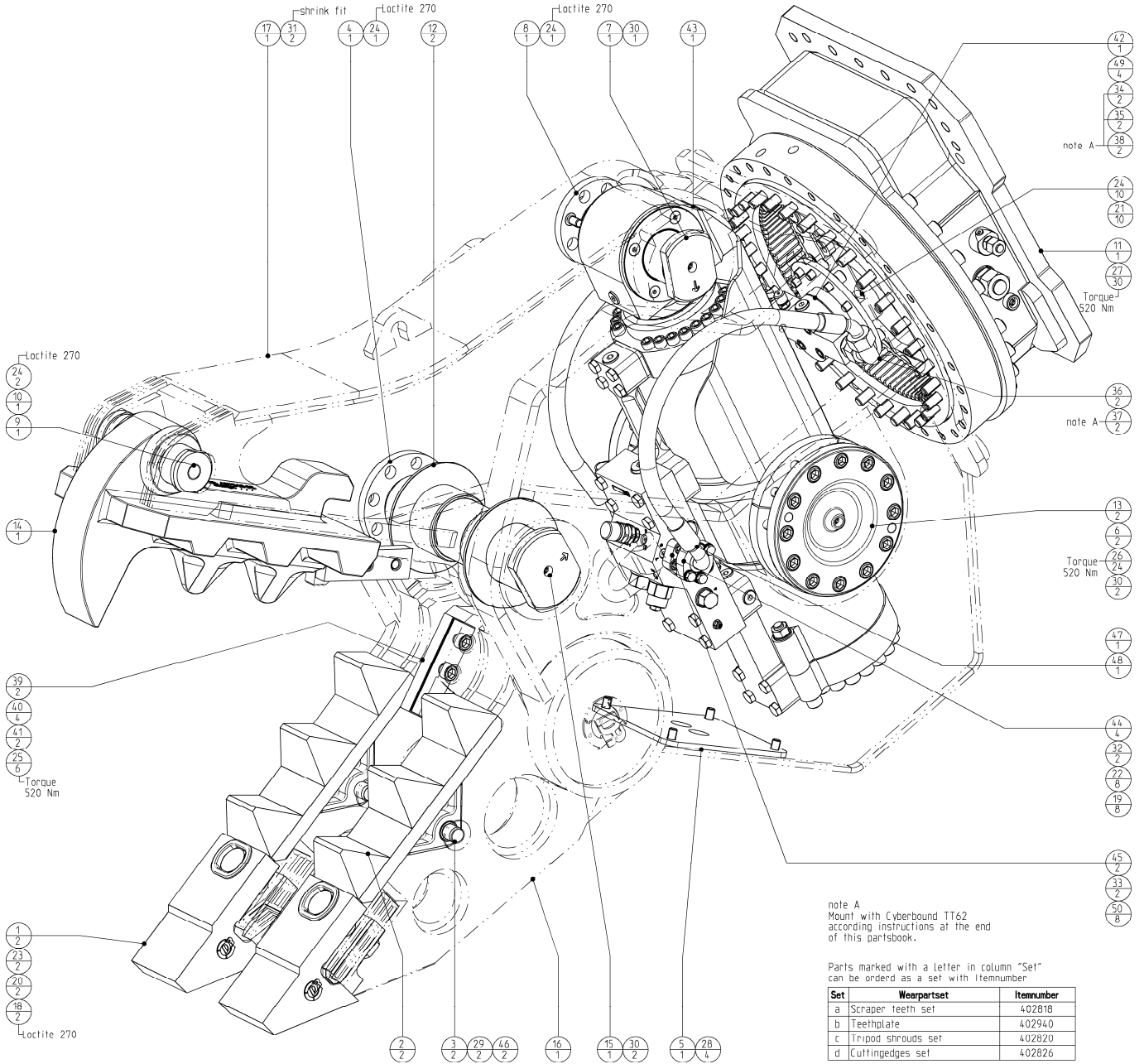
INTERNET
E-MAIL

www.demarec.com
info@demarec.com

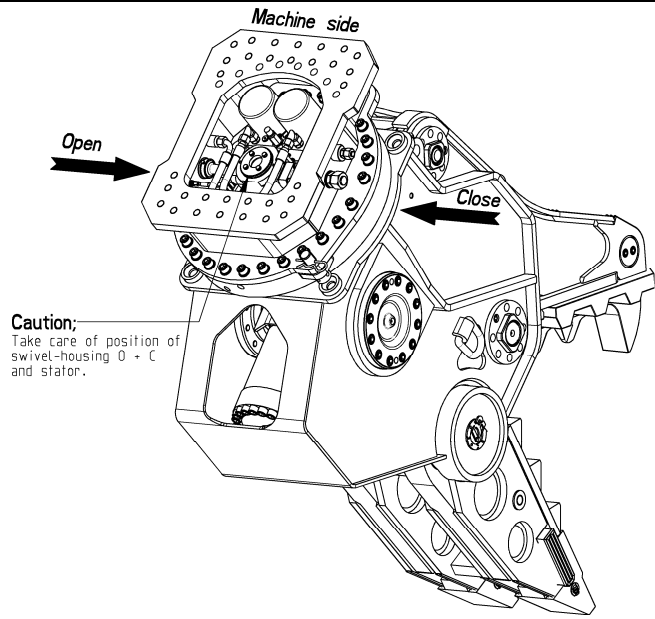
Rotatable Pulverizer

Page	1	of	23
Date	August 2014		
Product type	DRP-30		
Number	DRP30H090CAA5-A		

Housing GP

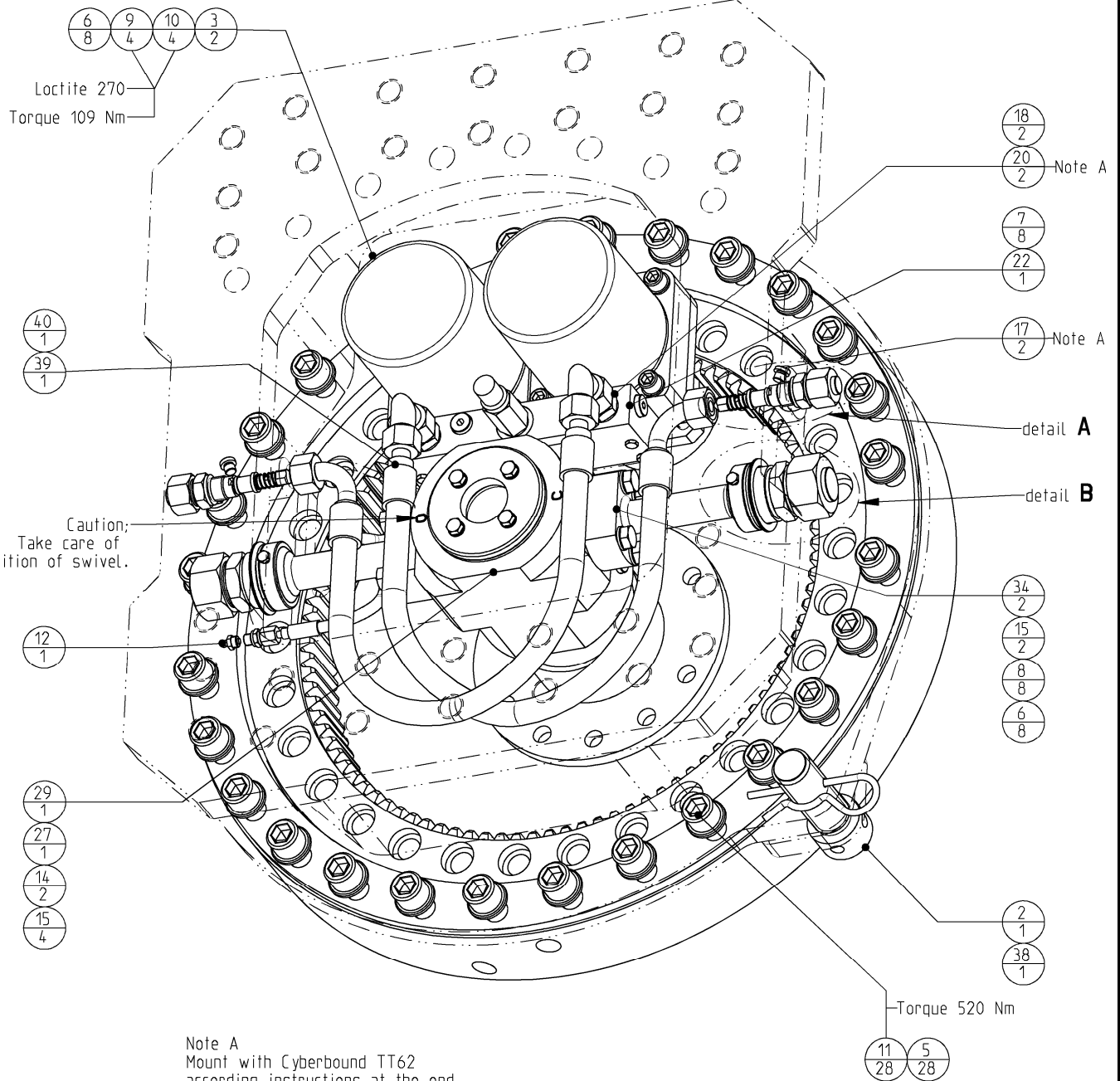


<h1>Rotatable Pulverizer</h1>	Page	2	of	23
	Date	August 2014		
	Product type	DRP-30		
<h2>Housing GP</h2>	Number	DRP30H090CAA5-A		



						28	500358	Flat countersunk head cap screws	4
						27	500302	Hex. socket head cap screw	30
						26	500275	Hex. socket head cap screw	24
					d	25	500270	Hex. socket head cap screw	6
						24	500258	Hex. socket head cap screw	14
					a	23	500201	Bolts Hexagon	2
	50	506051	Hex. socket head cap screw	8		22	500134	Bolts Hexagon	8
	49	506021	Hex. socket head cap screw	4		21	500069	Washer spring	10
	48	505151_RH_RM-DRP30	Hydr. hose RH asm. 3/4" SAE 100R10	1	a	20	500058	Washer HV	2
	47	505151_LH_RM-DRP30	Hydr. hose LH asm. 3/4" SAE 100R10	1		19	500053	Washer HV	8
c	46	504053	O-ring	2	a	18	500009	Nut Hexagon	2
	45	503649	SAE Reducer flange	2		17	404525	Jaw - upper asm. machined	1
	44	503503	SAE split - flange	4		16	404351	Housing asm. machined	1
	43	501290	Hydraulic Cylinder & Valve GP	1		15	404348	Pin	1
	42	501035	Swivel - flange	1	b	14	402940	Teethplate 30 serie	1
d	41	500952	Shim - straight	2		13	402916	Bearing housing	2
d	40	500951	Shim - straight	4		12	402481	Spacer	2
d	39	500950	Shear - blade straight	2		11	401766	Rotatorhead GP	1
	38	500740	Test-point	2		10	401444	Lock - cover	1
	37	500695	Male stud coupling	2		9	401443	Pin	1
	36	500675	Adjustable male stud elbow	2		8	401441	Locknut	1
	35	500653	Blanking end	2		7	401440	Pin	1
	34	500652	Blanking end	2		6	401437	Ring	2
	33	500603	O-ring	2		5	401416	Cover	1
	32	500601	O-ring	2		4	401313	Locknut	1
	31	500572	Bushing	2	c	3	401311	Lock - pin	2
	30	500560	Grease - nipple	5	c	2	401194	Shroud - tripod	2
c	29	500559	Tension bush - outside	2	a	1	401193	Tooth - scraper	2
					Set	POS	PARTNUMBER	PARTNAME	QT

Rotatable Pulverizer	Page	3	of	23
	Date	August 2014		
	Product type	DRP-30		
Rotatorhead GP	Number	401766-11		

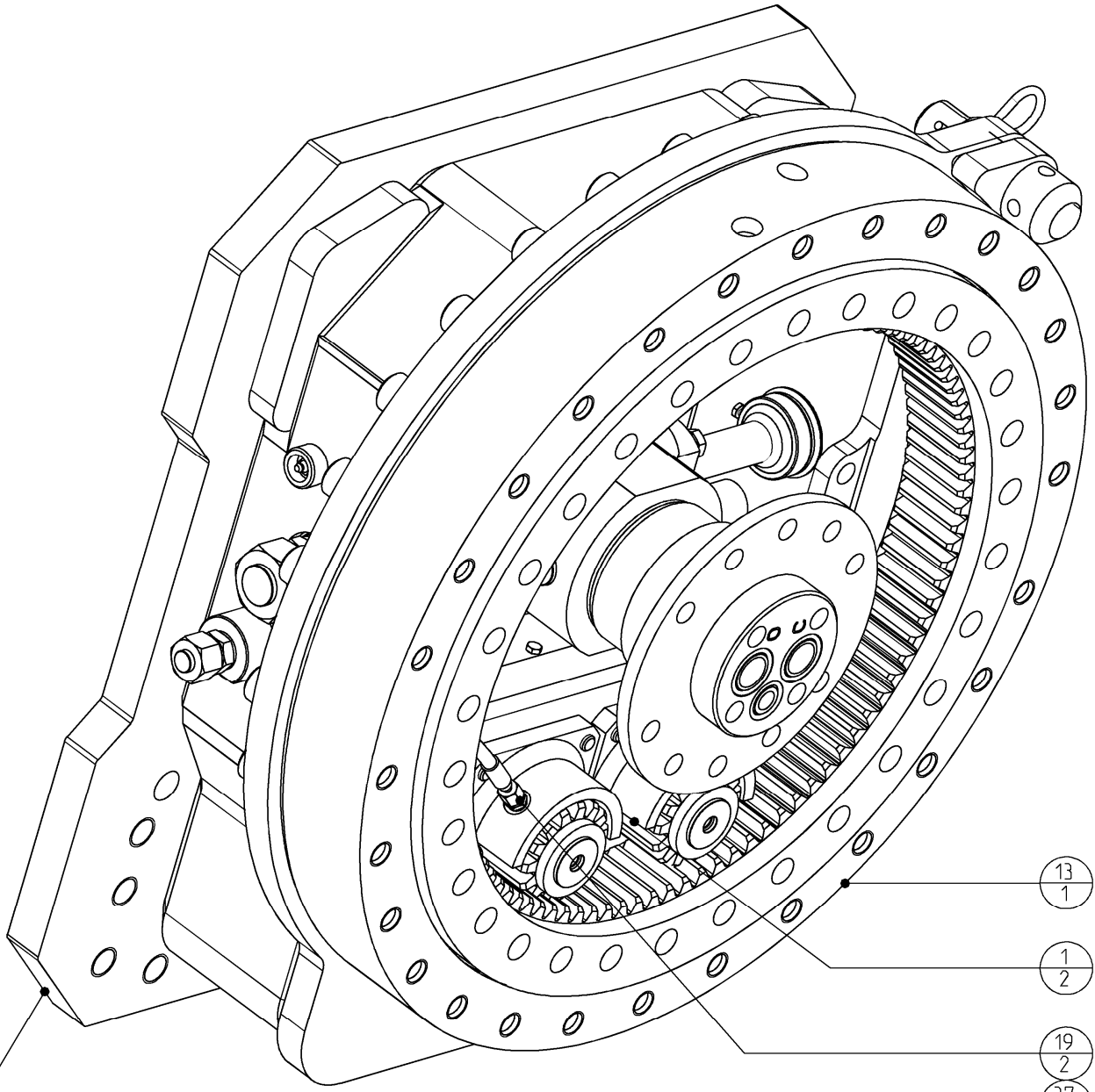


Note A
Mount with Cyberbound TT62
according instructions at the end
of this partsbook.

Rotatable Pulverizer

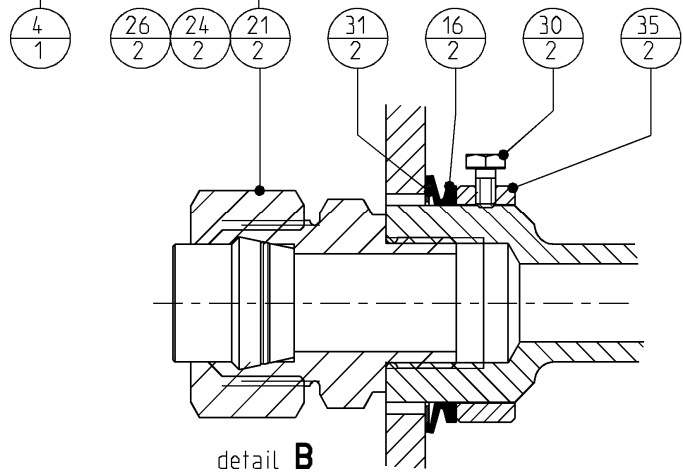
Page	4	of	23
Date	August 2014		
Product type	DRP-30		
Number	401766-11		

Rotatorhead GP

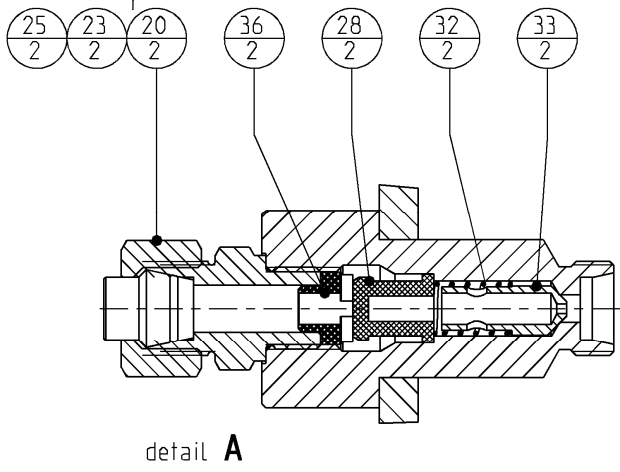


- 13
1
- 1
2
- 19
2
- 37
1

Note A



Note A



Rotatable Pulverizer	Page	5	of	23
	Date	August 2014		
	Product type	DRP-30		
Rotatorhead GP	Number	401766-11		

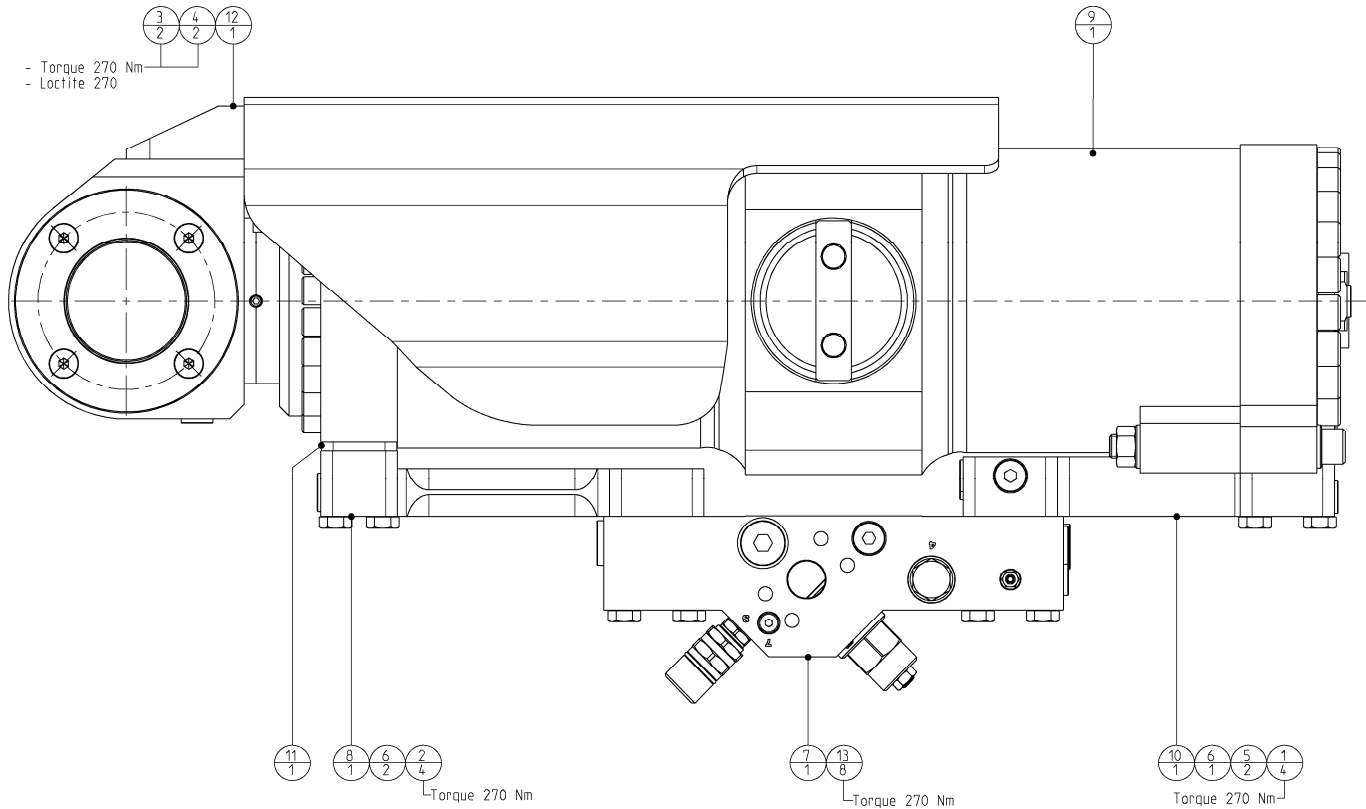
--	--	--	--

POS	PARTNUMBER	PARTNAME	QT
25	500945	Blanking plug	2
24	500943	Nut coupling	2
23	500940	Nut coupling	2
22	500758	Valve GP	1
21	500698	Male stud coupling	2
20	500693	Male stud coupling	4
19	500690	Male stud coupling	2
18	500673	Adjustable male stud elbow	2
17	500649	Blanking end	2
16	500621	Seal	2
15	500601	O-ring	6
14	500600	O-ring	2
13	500591	Stewing Ring; Internal Gear	1
12	500560	Grease - nipple	1
11	500302	Hex. socket head cap screw	28
10	500255	Hex. socket head cap screw	4
9	500253	Hex. socket head cap screw	4
8	500135	Bolts Hexagon	8
7	500099	Bolts Hexagon	8
6	500068	Washer spring	16
5	500055	Washer HV	28
4	404605	Rotatorhead asm. machined	1
3	401201	Motor GP	2
2	400066	Lock - pin	1
1	400063	Cap - Pinion	2
40	500840_VG02	Hydr. hose asm. 1/2" SAE 100 R2AT	1
39	500840_VG01	Hydr. hose asm. 1/2" SAE 100 R2AT	1
38	500504-3	Locking pin (hair-pin)	1
37	296012429_VG01	Hydr. hose asm. 3/16" SAE 100R1AT	1
36	773058645	Drossel - ring	2
35	773057512	Ring - adjusting	2
34	773056990	Hydraulic flange - pipe	2
33	273058601	Cone - valve + restriction	2
32	165050749	Spring	2
31	122010270	Ring - shim	2
30	120014016	Bolts Hexagon	2
29	502286	Swivel GP	1
28	502000	Filter	2
27	501074	Swivel - Flange Intermed.	1
26	500948	Blanking plug	2

Rotatable Pulverizer

Page	6	of	23
Date	August 2014		
Product type	DRP-30		
Number	501290-00		

Cylinder & Valve GP

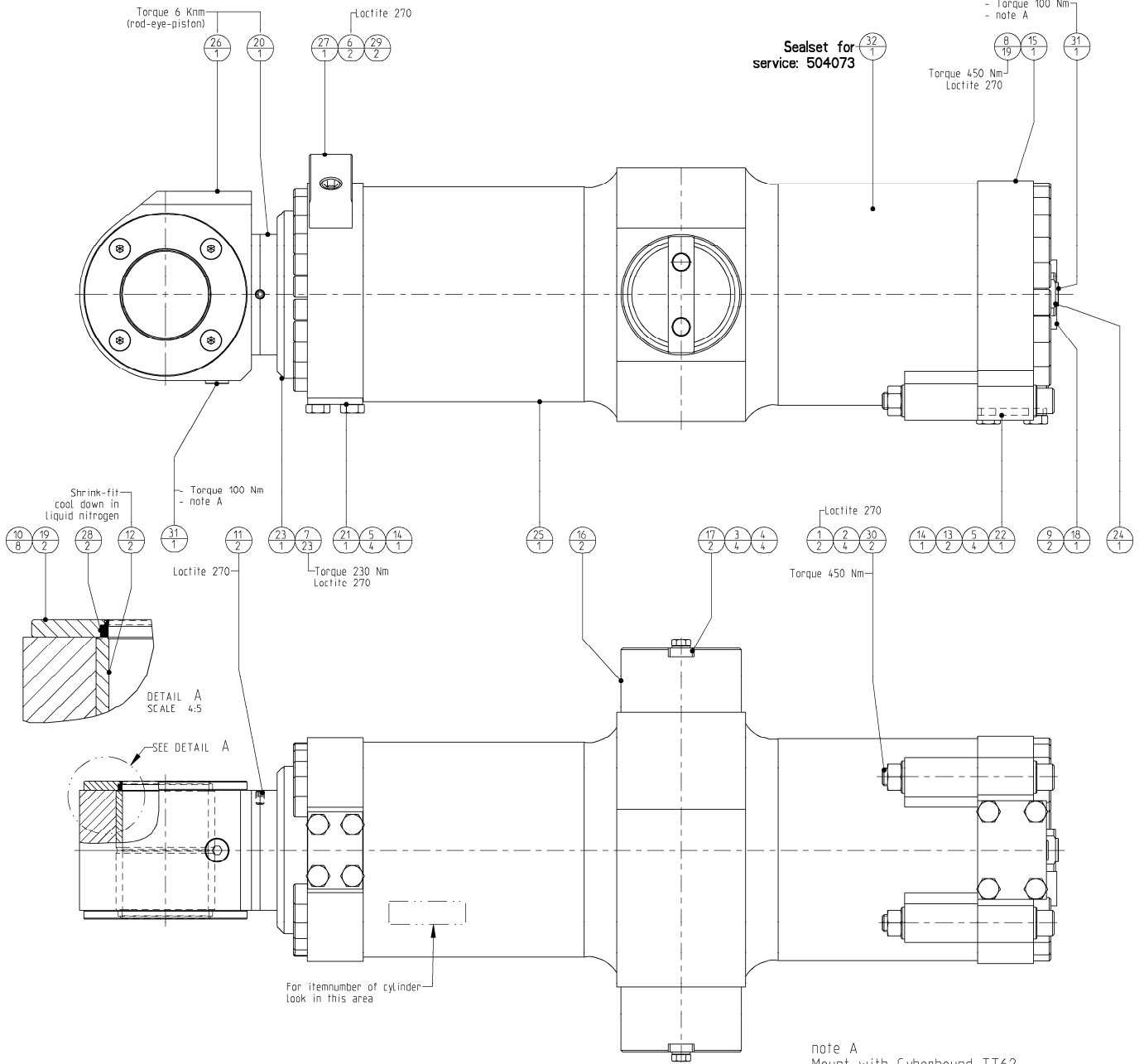


13	120013886	Bolts Hexagon	8
12	502708	Protection cap asm.	1
11	502688	Flange - intermed.	1
10	502686	Flange - bottom GP	1
9	502491	Hydraulic Cylinder GP	1
8	502386	Flange - rod GP	1
7	501240	Valve GP DemaPower 2.0	1
6	500601	O-ring	3
5	500600	O-ring	2
4	500265	Hex. socket head cap screw	2
3	500262	Hex. socket head cap screw	2
2	500150	Bolts Hexagon	4
1	500149	Bolts Hexagon	4
POS	PARTNUMBER	PARTNAME	QT

Rotatable Pulverizer

Page	7	of	23
Date	August 2014		
Product type	DRP-30		
Number	502491-02		

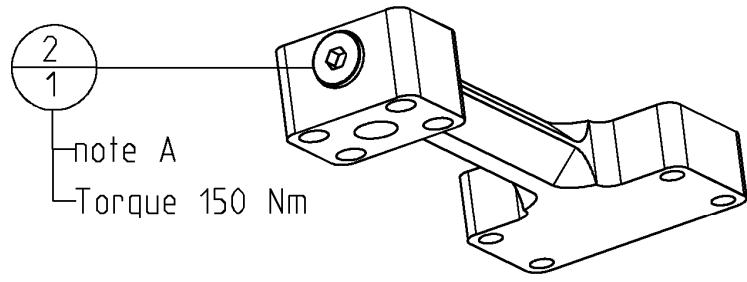
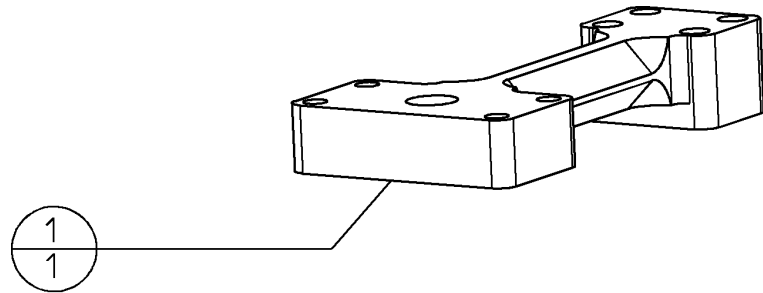
Cylinder GP



Rotatable Pulverizer	<i>Page</i>	8	<i>of</i>	23
	<i>Date</i>	August 2014		
	<i>Product type</i>	DRP-30		
Cylinder GP	<i>Number</i>	502491-02		

32	502335_RM502490	Seal - set	1
31	290058184	Blanking end ISO 6149	2
30	506048	Hex. socket head cap screw	2
29	506033	Lockwasher - Schnorr	2
28	504021	Scraper	2
27	502713	Support - protection cap	1
26	502707	Rod - eye	1
25	502552	Cylinder - house asm.	1
24	502384	Bolt - banjo asm.	1
23	502333	Cylinder - head	1
22	502258	Blanking cover	1
21	502251	Blanking cover	1
20	502208	Rod - tube	1
19	502127	Spacer	2
18	502112	Lockplate	1
17	502050	Lockplate	2
16	502049	Bearing	2
15	501291	Bottom asm.	1
14	500601	O-ring	2
13	500600	O-ring	2
12	500571	Bushing	2
11	500417	Hex. socket set screw	2
10	500347	Flat countersunk head cap screws	8
9	500333	Flat countersunk head cap screws	2
8	500277	Hex. socket head cap screw	19
7	500267	Hex. socket head cap screw	23
6	500260	Hex. socket head cap screw	2
5	500144	Bolts Hexagon	8
4	500133	Bolts Hexagon	4
3	500068	Washer spring	4
2	500055	Washer HV	4
1	500006	Nut Hexagon	2
POS	PARTNUMBER	PARTNAME	QT

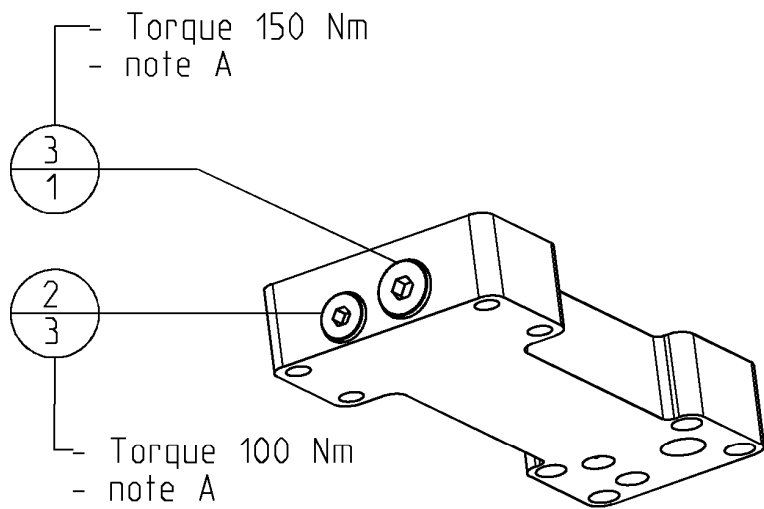
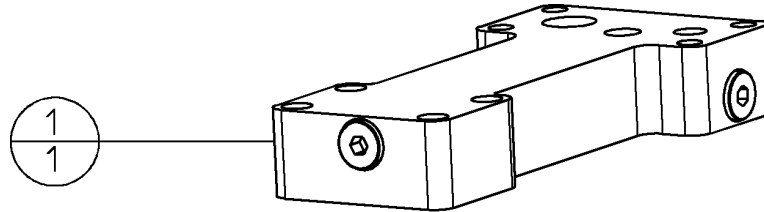
Rotatable Pulverizer	Page	9	of	23
	Date	August 2014		
	Product type	DRP-30		
Flange GP rod	Number	502386-02		



Note A;
Mount with Cyberbound TT62
according instructions at the end
of this partsbook.

2	290058185	Blanking end ISO 6149	1
1	502097	Flange - rod	1
POS	PARTNUMBER	PARTNAME	QT

Rotatable Pulverizer	Page	10	of	23
	Date	August 2014		
	Product type	DRP-30		
Flange GP bottom	Number	502686-01		



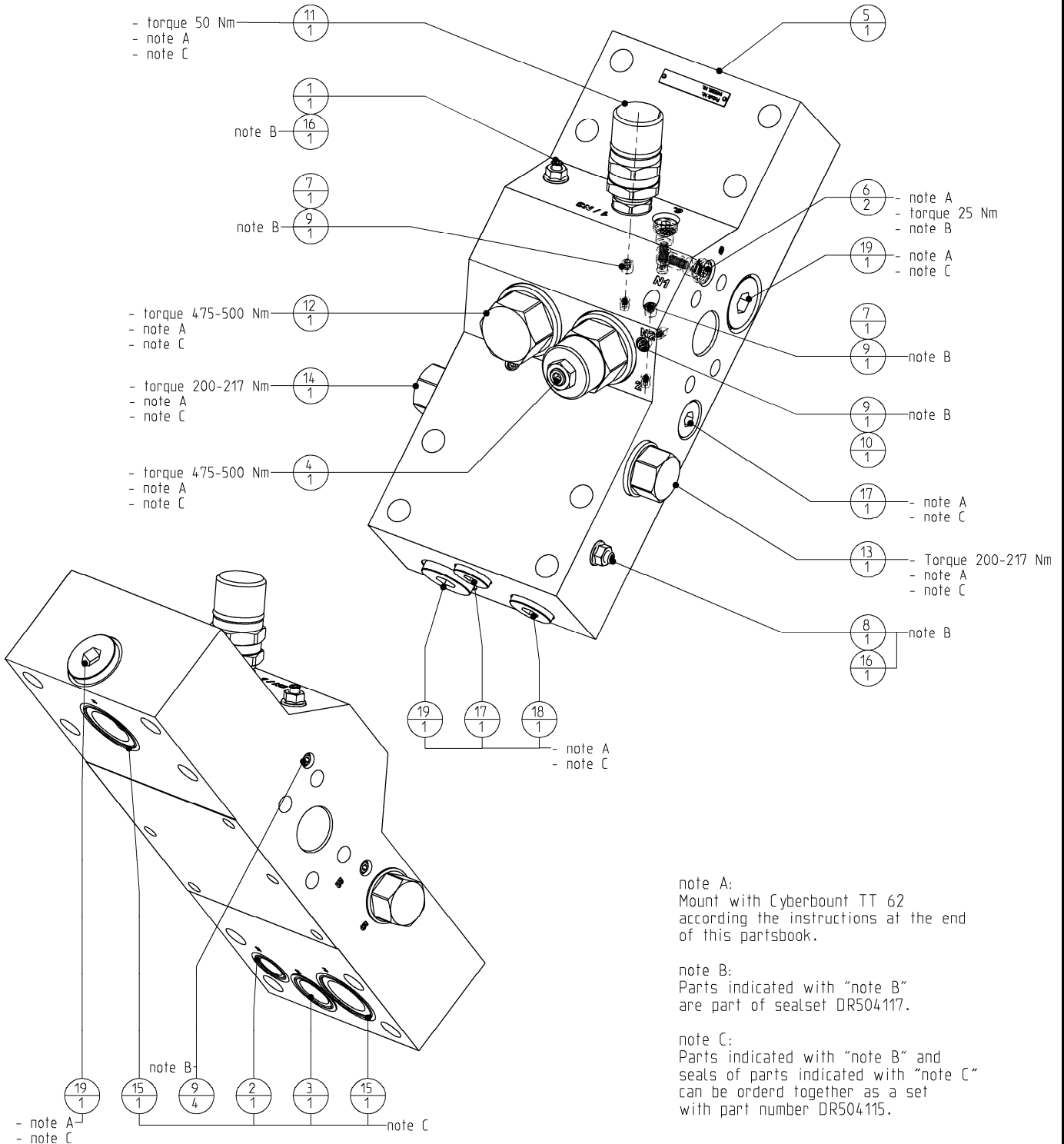
note A
Mount with Cyberbound TT62
according intructions at the end
of this partsbook.

3	290058185	Blanking end ISO 6149	1
2	290058184	Blanking end ISO 6149	3
1	502687	Flange - bottom	1
POS	PARTNUMBER	PARTNAME	QT

Rotatable Pulverizer

Page	11	of	23
Date	August 2014		
Product type	DRP-30		
Number	501240-00		

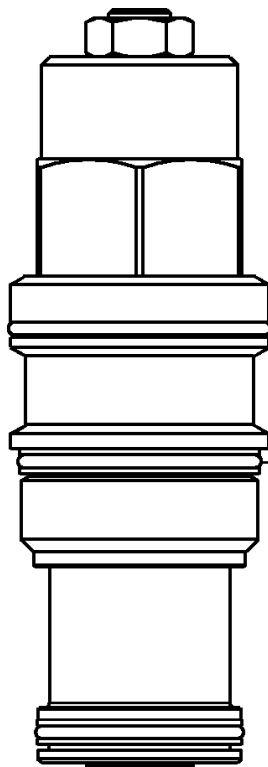
Valve GP



Rotatable Pulverizer	<i>Page</i>	12	<i>of</i>	23
	<i>Date</i>	August 2014		
	<i>Product type</i>	DRP-30		
Valve GP	<i>Number</i>	501240-00		

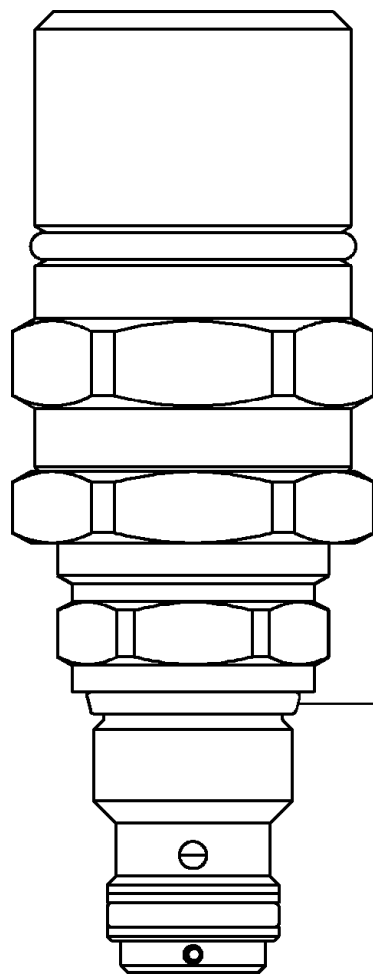
19	290058186	Blanking end ISO 6149	3
18	290058185	Blanking end ISO 6149	1
17	290058184	Blanking end ISO 6149	2
16	121067231	Nut Hexagon sealing	2
15	504009	Quad-ring	2
14	502117	Valve - check	1
13	501378	Valve - check	1
12	501377	Valve - check	1
11	501376	Valve - overload protection	1
10	501246	Blanking end	1
9	501245	Blanking plug	7
8	501244	Bleeding screw	1
7	501243	Orifice Ø0,5	2
6	501242	Valve - check	2
5	501241	Housing	1
4	501235	Valve - counter balance	1
3	500601	Seal - flange	1
2	500600	Seal - flange	1
1	500412	Hex. socket set screw	1
POS	PARTNUMBER	PARTNAME	QT

Rotatable Pulverizer	<i>Page</i>	13	<i>of</i>	23
	<i>Date</i>	August 2014		
	<i>Product type</i>	DRP-30		
Counter balance valve	<i>Number</i>	501235-00		



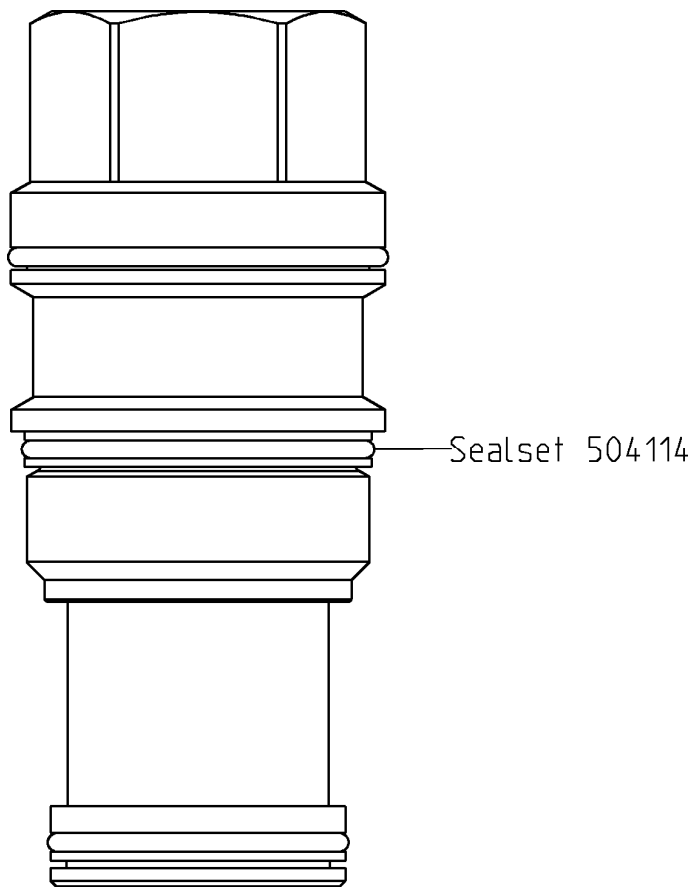
Sealset 504114

Rotatable Pulverizer	Page	14	of	23
	Date	August 2014		
	Product type	DRP-30		
Overload protection valve	Number	501376-00		

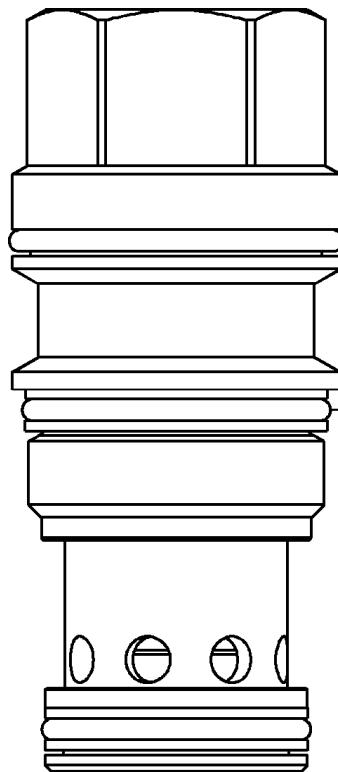


Sealset 504119

Rotatable Pulverizer	<i>Page</i>	15	<i>of</i>	23
	<i>Date</i>	August 2014		
	<i>Product type</i>	DRP-30		
Check valve	<i>Number</i>	501377-00		

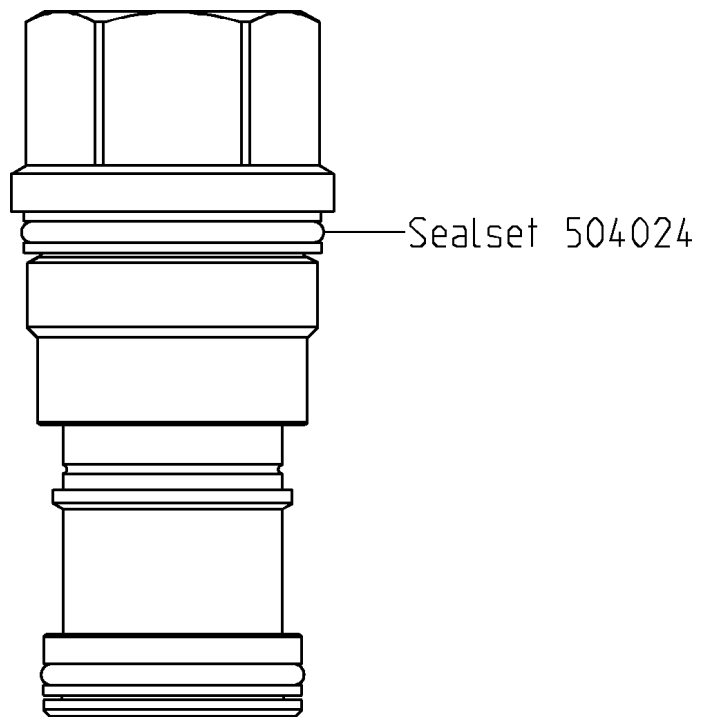


Rotatable Pulverizer	Page	16	of	23
	Date	August 2014		
	Product type	DRP-30		
Check valve	Number	501378-00		

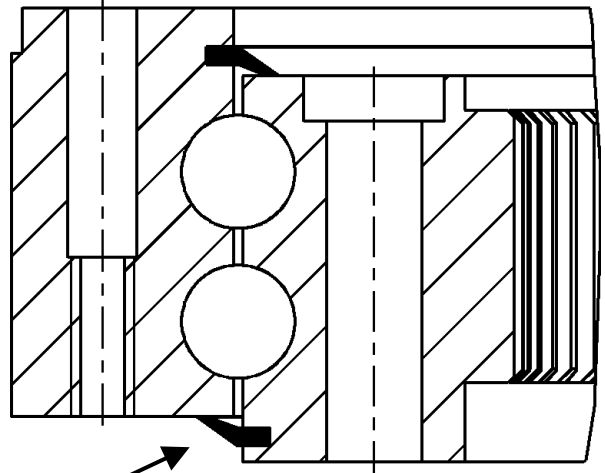
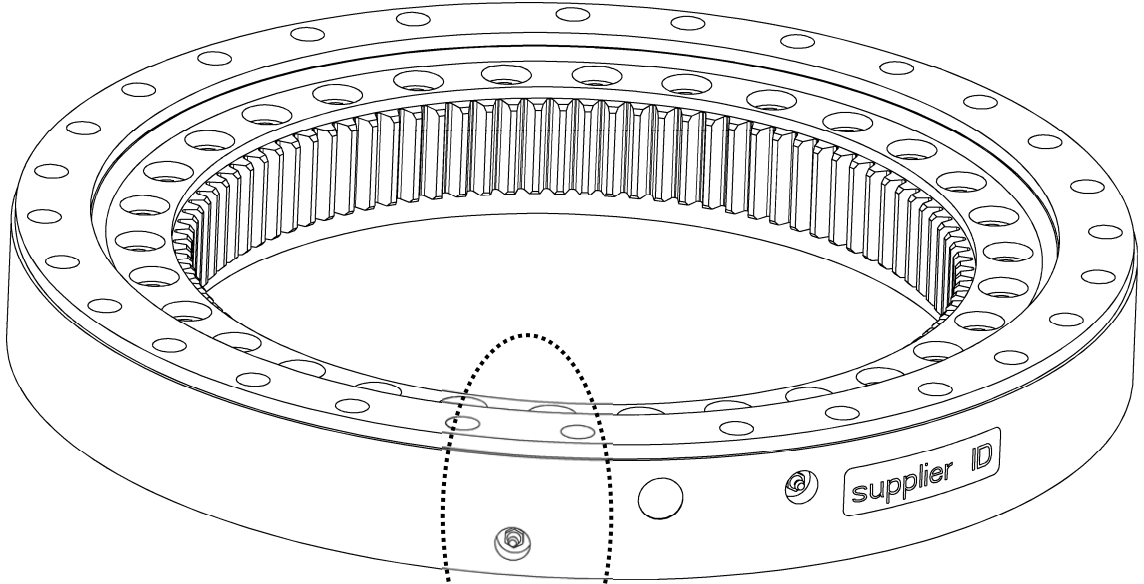


Sealset 504057

Rotatable Pulverizer	<i>Page</i>	17	<i>of</i>	23
	<i>Date</i>	August 2014		
	<i>Product type</i>	DRP-30		
Check valve	<i>Number</i>	502117-01		

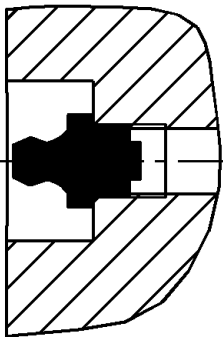


Rotatable Pulverizer	Page	18	of	23
	Date	August 2014		
	Product type	DRP-30		
Slewing ring	Number	500591-01		

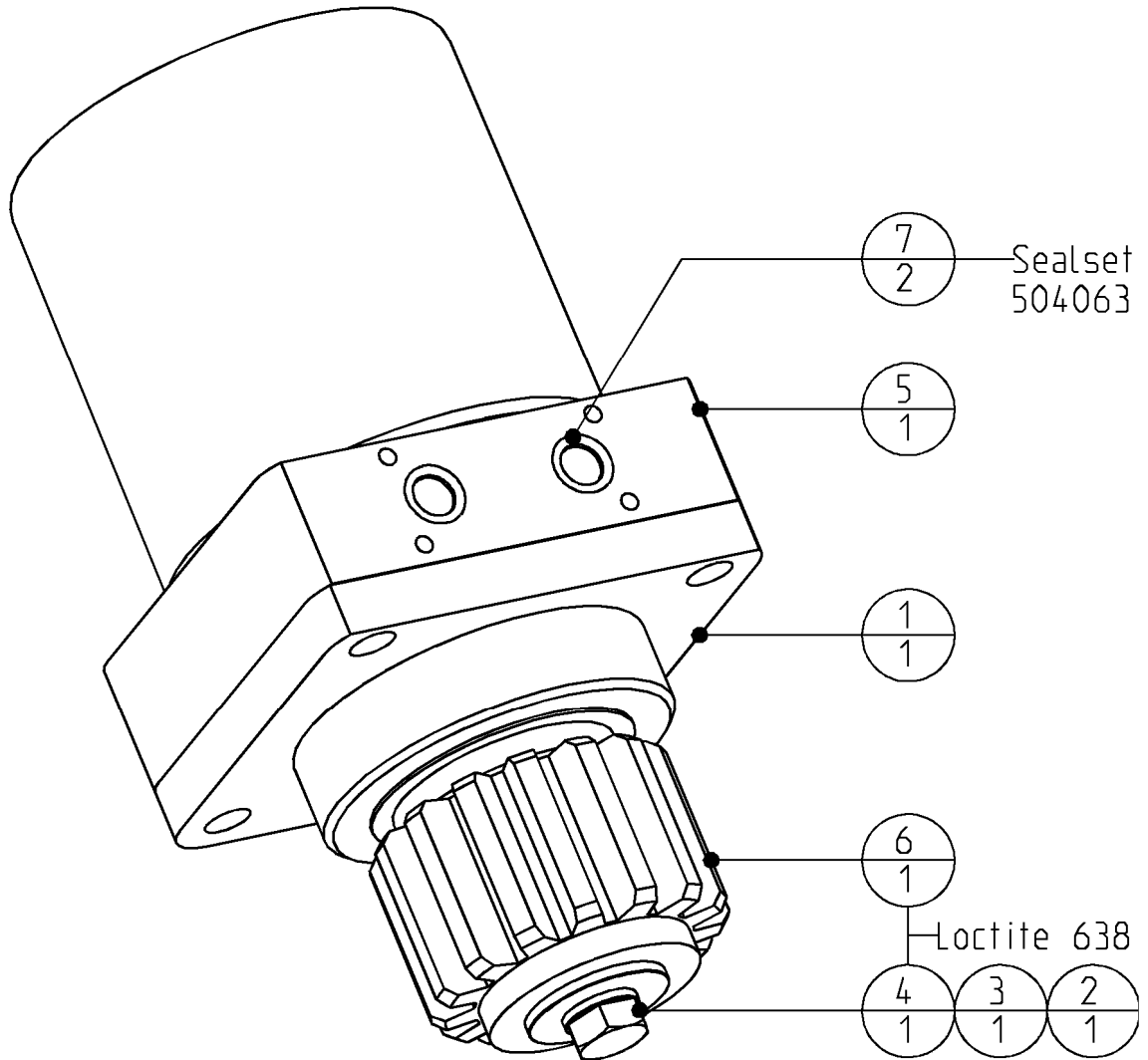


**2x seal 256060900
mount with Loctite**

**4x grease nipple
500560**



Rotatable Pulverizer	Page	19	of	23
	Date	August 2014		
	Product type	DRP-30		
Hydraulic motor GP	Number	401201-01		

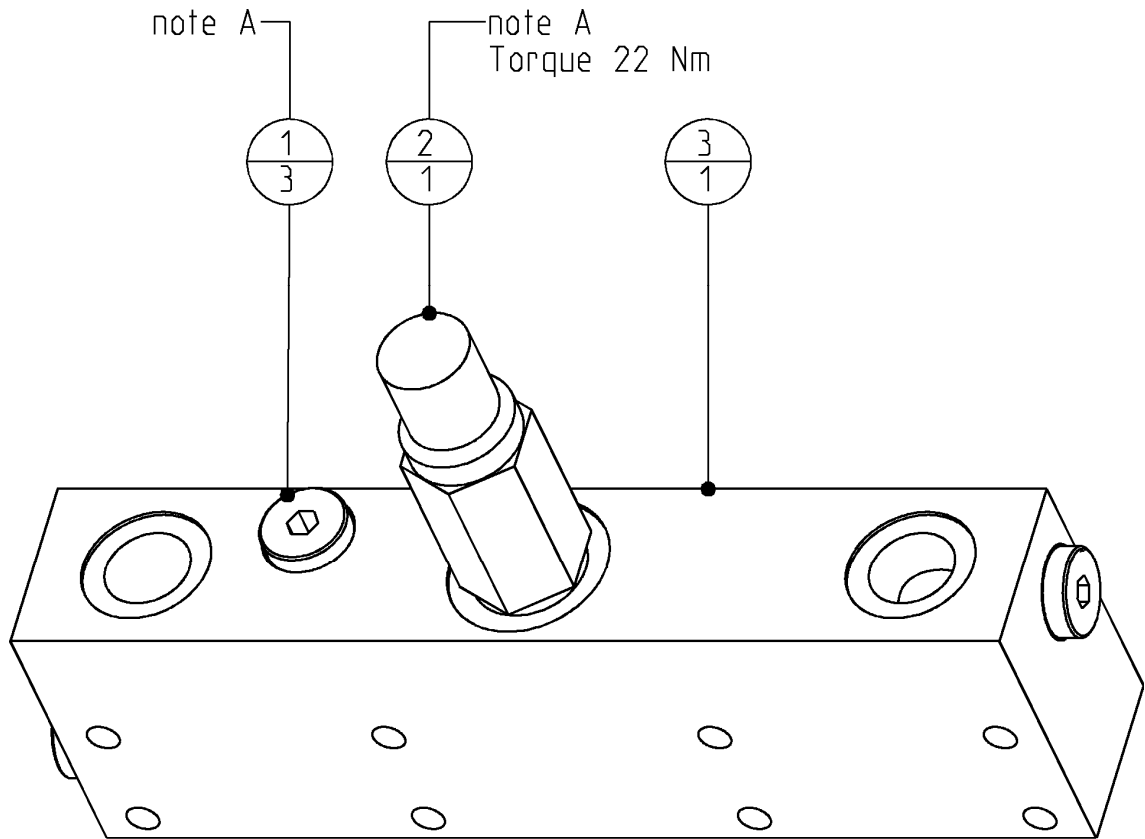


7	504070	O-ring	2
6	500851	Pinion	1
5	500763	Hydro-motor	1
4	500131	Bolts Hexagon	1
3	500068	Washer spring	1
2	500062	Washer car	1
1	400593	Motor-flange	1
POS	PARTNUMBER	PARTNAME	QT

Rotatable Pulverizer

Page	20	of	23
Date	August 2014		
Product type	DRP-30		
Number	500758-03		

Valve GP



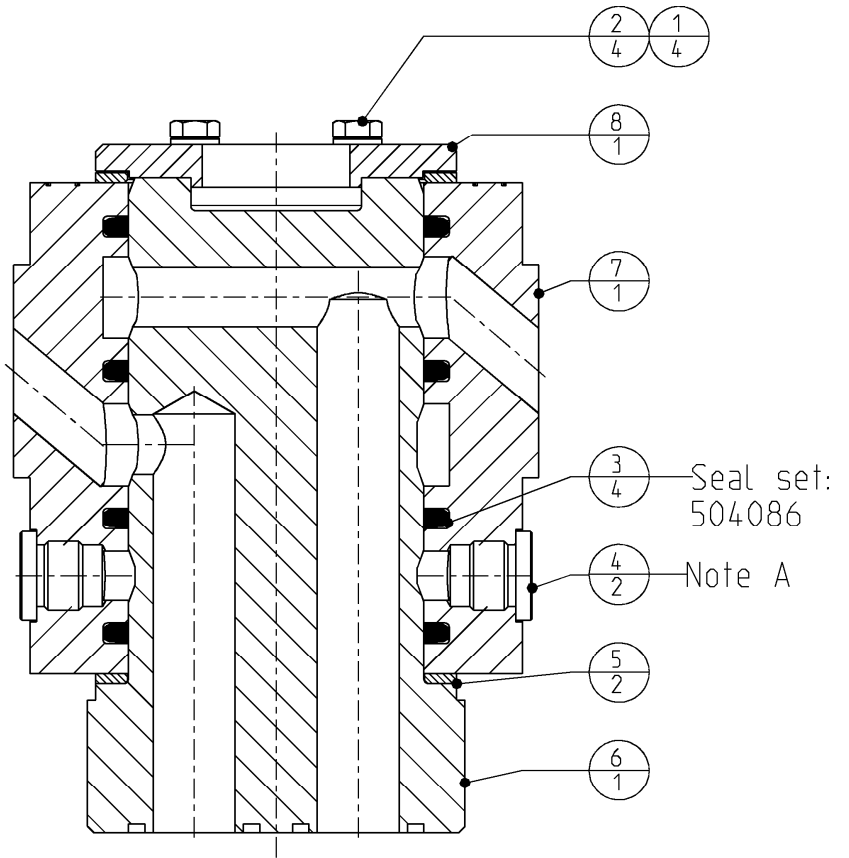
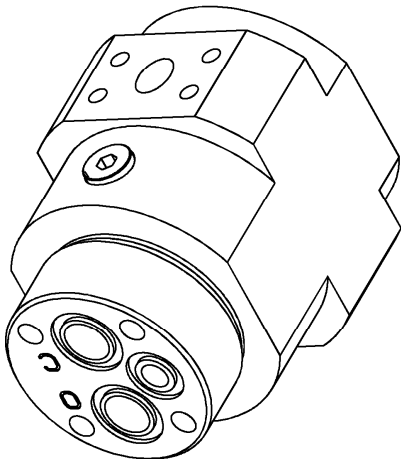
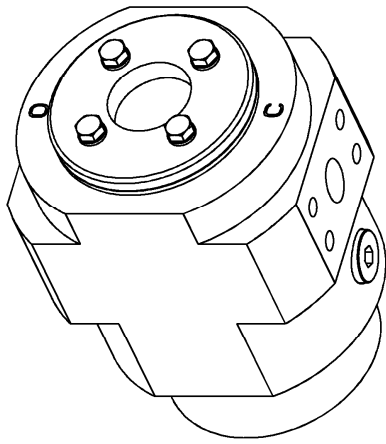
note A
Mount with Cyberbound TT62
according instructions at the end
of this partsbook.

3	500759	Baseplate	1
2	500757	cross-over relieve valve	1
1	500650	Blanking end	3
POS	PARTNUMBER	PARTNAME	QT

Rotatable Pulverizer

Page	21	of	23
Date	August 2014		
Product type	DRP-30		
Number	502286-05		

Swivel GP



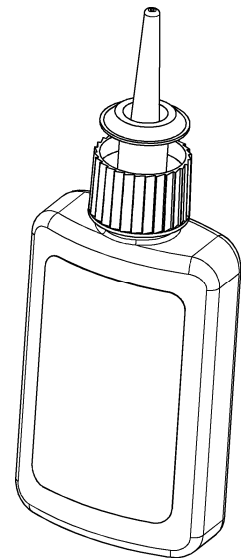
note A
Mount with Cyberbound TT62
according instructions at the end
of this partsbook.

8	502289	Cover	1
7	502288	Housing	1
6	502287	Stator	1
5	500832	Axial ring	2
4	500652	Blanking end	2
3	500630	Seal - Roto Glyd Ring	4
2	500105	Bolts Hexagon	4
1	500066	Washer spring	4
POS	PARTNUMBER	PARTNAME	QT

Rotatable Pulverizer	Page	22	of	23
	Date	August 2014		
	Product type	DRP-30		
Additional parts	Number	n.a.		

Chemical lock

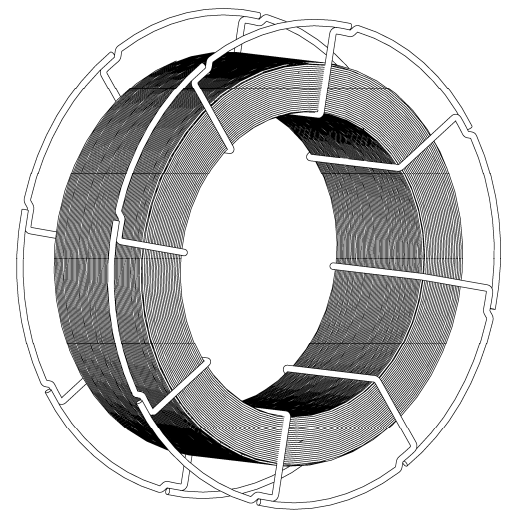
195050158	Cyberbond TT62 Pumpgel	1
506018	Loctite 480 Flacon 20 gr	1
506017	Loctite 638 Flacon 50 ml	1
506016	Loctite 270 Flacon 50 ml	1
PARTNUMBER	PARTNAME	QT



MAG welding wire

- for hard facing cutting blades
- 48-52 HRc

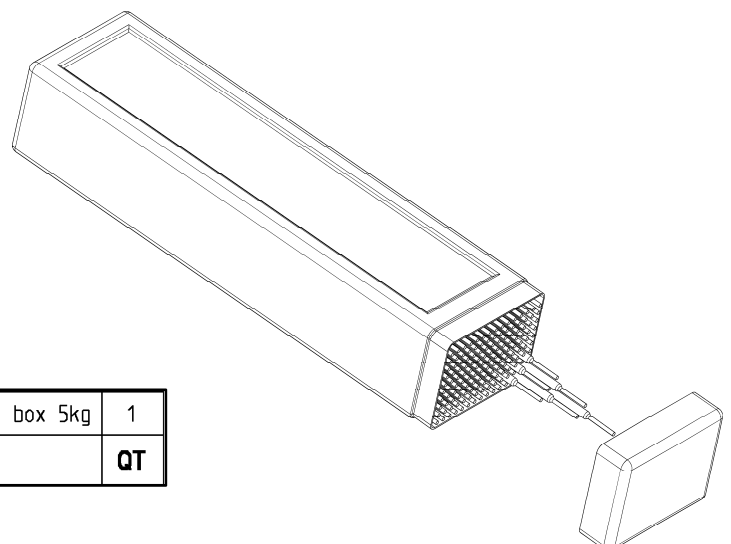
501237	Welding wire MAG; 1.8425, coil 15kg	1
PARTNUMBER	PARTNAME	QT



Welding electrodes

- for hard facing cutting blades
- 48-52 HRc

501238	Weld. electr.:1.8425, Ø 2,5mm, box 5kg	1
PARTNUMBER	PARTNAME	QT



Rotatable Pulverizer	Page	23	of	23
	Date	August 2014		
	Product type	DRP-30		
Instructions	Number	n.a.		

Mounting instructions for Cyberbound TT 62

This instruction shall guarantee that all hydraulic fittings and cartridges will be mounted and glued in correctly.

Procedure:

Clean and degrease thoroughly all components with a special cleaner for anarobic adhesives (e.g. Loctite cleaner 7063) or acetone.

Apply on the outside thread only a bead of Cyberbond TT62 pump gel to approx. 2/3 of the girth of the second thread for fittings up to a diameter of 20mm or to the entire girth for fittings with a diameter larger than 20mm.



Cyberbound
TT 62



Clean from adhesive residues pressed out from the bore hole after fitting.

ATTENTION. The sealings shall be free of adhesive residues!

Tighten fittings with given fastening torques.

Standard torque values for bolts (when not indicated)

Thread size	Torque (Nm) for quality		
	8.8	10.9	12.9
M8	22,5	32,4	38,7
M10	45,0	63,0	75,6
M12	77,4	109,0	131,0
M16	194,0	270,0	324,0
M20	369,0	522,0	630,0
M24	639,0	900,0	1080,0
M27	945,0	1305,0	1575,0
M30	1260,0	1800,0	2160,0



DEMAREC AND KINSHOFER WORLDWIDE

Netherlands:

Demarec

Demolition and Recycling Equipment BV

Den Hoek 10

5845 EL St. Anthonis

Netherlands

TEL. +31 (0) 485 442300

FAX +31 (0) 485 442120

Email:

info@demarec.com

United Kingdom:

Kinshofer UK Ltd.

4 Milton Industrial Court,

Horsfield Way, Bredbury

Stockport, Cheshire, SK6 2TA

United Kingdom

TEL. +44 (0) 161 - 406 7046

FAX +44 (0) 161 - 406 7014

Email:

sales@kinshofer.co.uk

France:

Kinshofer France S.A.R.L.

B.P. 20100

67213 Obernai Cedex

France

TEL. +33 (0) 388 39 55 00

FAX +33 (0) 388 79 06 75

Email:

info@kinshofer.fr

Czech Republic:

Kinshofer CZ s.r.o.

Cs. Legji 568

37810 Ceske Velenice

Czech Republic

TEL. +420 384 – 795 110

FAX +420 384 – 795 120

Headquarters:

Germany:

Kinshofer GmbH

Hauptstrasse 76

83666 Waakirchen

Germany

TEL. +49 (0) 8021 – 88 99 0

FAX +49 (0) 8021 – 88 99 37

Email:

info@kinshofer.com

North America:

Kinshofer North America

5040 Mainway Drive, Unit 11

Burlington, ON L7L 7G5

Canada

TEL. +1 (905) 335 2856

FAX +1 (905) 335 4529

Toll Free in Canada and USA:

TEL. 1-800-268-9525

Email:

sales-northamerica@kinshofer.com

Finland:

Kinshofer Aponox Oy

Terminaalitie 10

13430 Hämeenlinna

Finland

TEL. +358 (0)75 7540 200

FAX +358 (0)75 7540 210

Beijing:

Darda Kinshofer

Construction Machinery Co. Ltd.

Unit #306, Landmark Tower 2

8 Dongsanhuan Road

Beijing 100004

China

TEL. +86 (10) 6590 6422

FAX +86 (10) 6590 6423

Email:

info@darda.com.cn